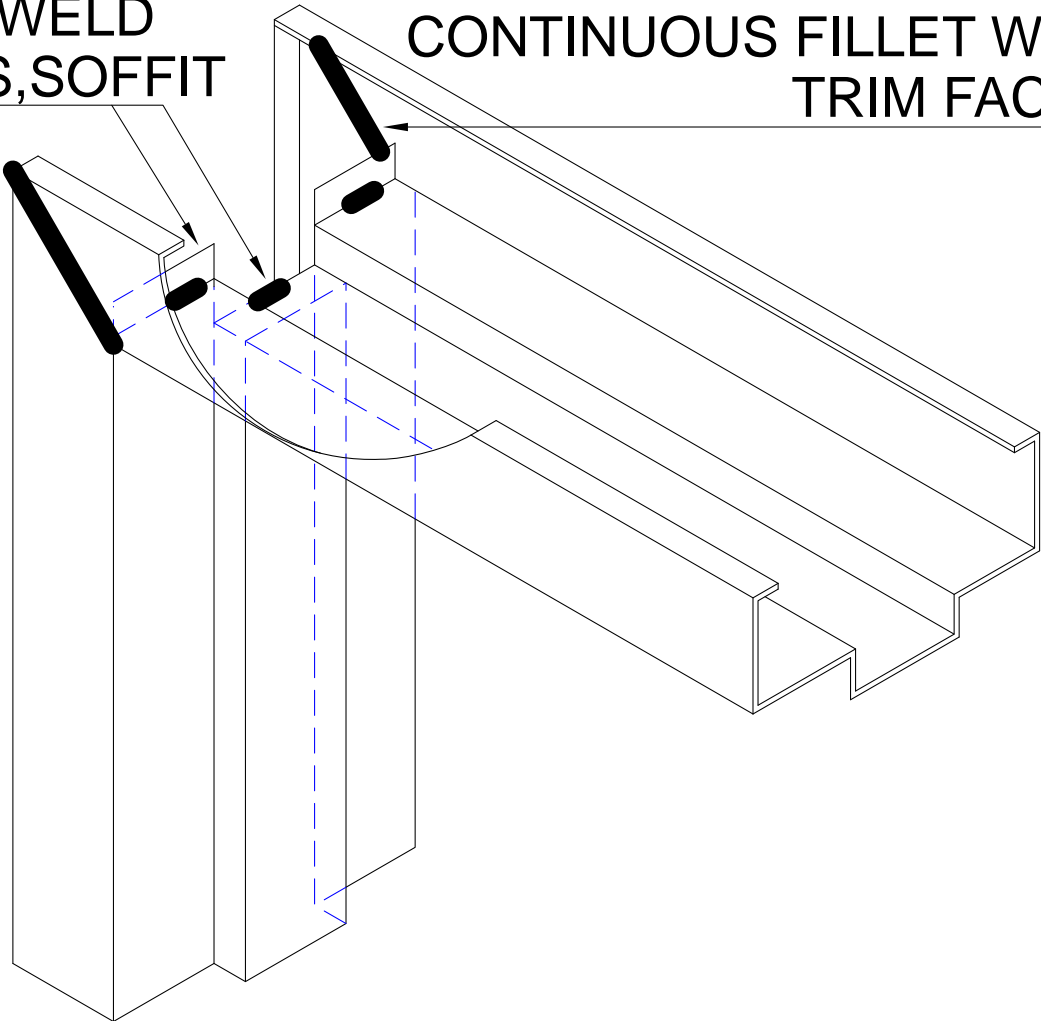


TAC WELD  
TABS, SOFFIT

CONTINUOUS FILLET WELD  
TRIM FACES



STANDARD WELDED CORNER SECTIONS  
**TYPE 1**