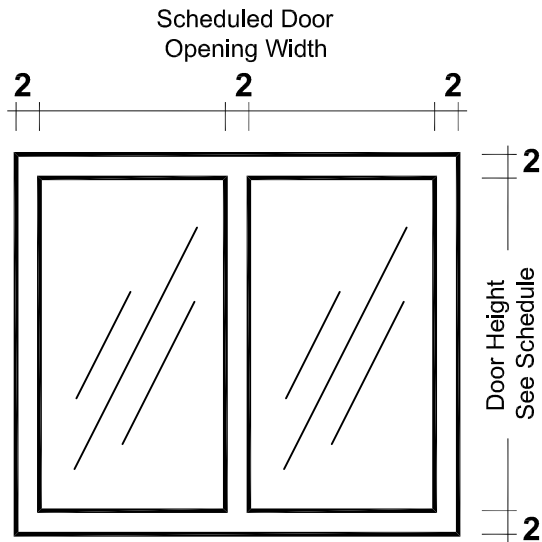
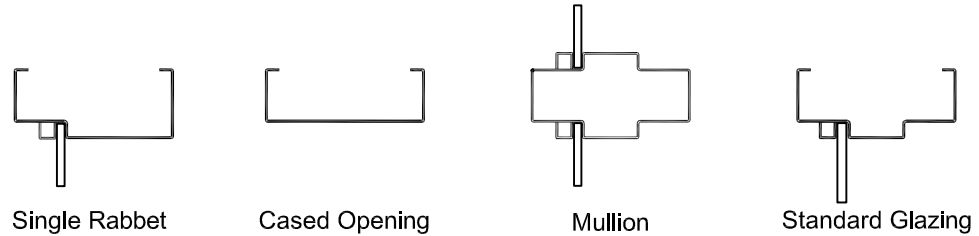


Hollow Metal Window Frame (by Security Metal Products)

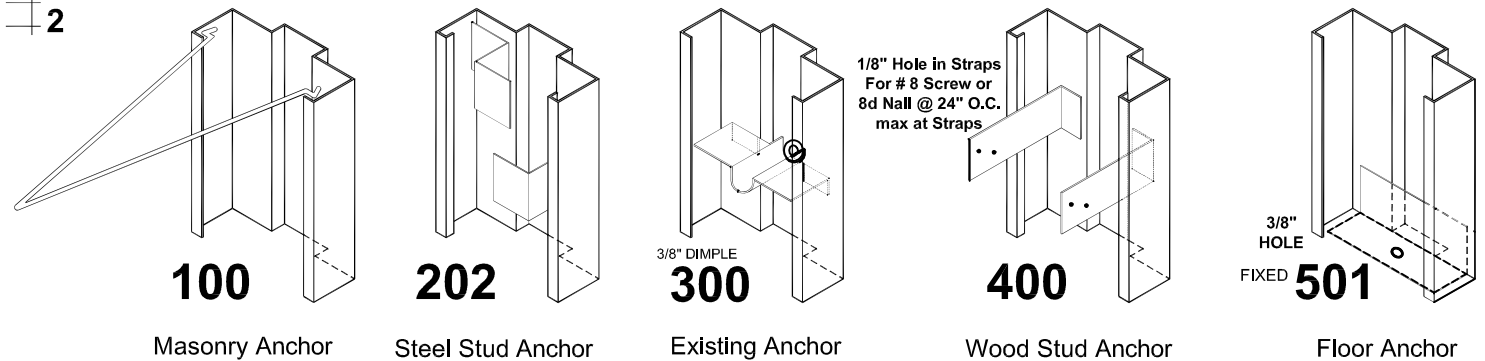


TYPICAL ELEVATION

TYPICAL FRAME PROFILES

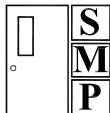


TYPICAL FRAME ANCHORS



SPECIFICATIONS:

- | | |
|--|--|
| <ul style="list-style-type: none"> 1.) Pre-assembled Welded Frames 2.) Galvanized Steel 3.) Window Frames Rated up to 90 minutes 4.) 12 Gauge Reinforcement for Surface Applied Hardware | <ul style="list-style-type: none"> 5.) 16, 14 & 12 Gauge Available 6.) Baked on Prime Paint 7.) Anchors for All Wall Types & Conditions |
|--|--|



SECURITY METAL PRODUCTS CORP.

5700 Hannum Avenue Suite # 250
Culver City, CA 90230

ph. (310) 641-6690
fx. (310) 641-6601

JOB NAME:

JOB NO.:

PAGE: